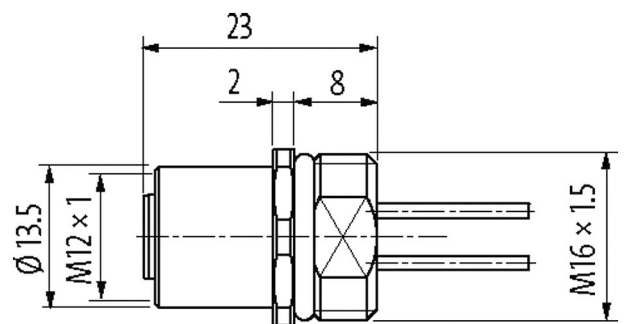
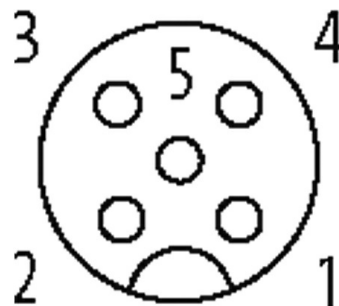


M12 female receptacle A-cod. front mount

PP-wires 5X0.34 0.5m

Flange female
M12, 5-pole
Front mounting
with multi-strand wire**Illustration**

Female



Product may differ from Image

Approvals

**Form**

Form 13561

Cables

| | |
|----------------------------|----------------------------|
| Cable number | 975 |
| No./diameter of wires | 5 × 0.34 mm ² |
| Wire isolation | PUR (br, wh, bl, bk, gnye) |
| Outer Ø | 1.3 mm ±5% |
| Temperature range (fixed) | -40...+90 °C |
| Temperature range (mobile) | -25...+90 °C |
| Material (wire) | Cu wire, tin plated |
| Resistor (core) | max. 58 Ω/km (20 °C) |
| Nominal voltage | 300 V AC |
| Test voltage | 1500 V AC |
| Bend radius (fixed) | 5 × outer Ø |

Technical Data

| | |
|-------------------------------|--|
| Operating voltage | max. 125 V AC/DC |
| Rated surge voltage | 1.5 kV |
| Operating current per contact | max. 4 A |
| No. of poles | 5 |
| Material group | IEC 60664-1, category I |
| Coding | A-coded |
| LED display | no |
| Locking of ports | Screw thread (M12×1 mm) recommended torque 0.6 Nm, self-securing |
| Compression gland | M12 (SW14) |
| Protection | IP67 inserted and tightened (EN 60529) |
| Protection NEMA | 3, 4, 6P (UL 50E) |
| Material | Zinc die casting, brass-plated |
| Locking material | Zinc die casting, brass-plated |

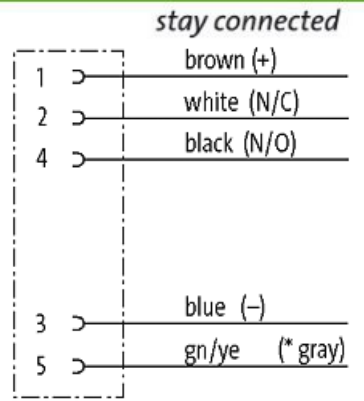
General data

| | |
|----------------------------|--------------------------|
| Standards | DIN EN 61076-2-101 (M12) |
| Material (contact) | Copper alloy |
| Material (contact surface) | Au |
| Material (gasket) | FKM |
| Pollution Degree | 3 |
| Temperature range | -25...+85 °C |

Commercial data

| | |
|-----------------------|---------------|
| country of origin | DE |
| customs tariff number | 85444290 |
| EAN | 4048879311731 |
| eClass | 27279220 |
| Packaging unit | 1 |

Sketch



(* for cable type 902, 972)

Product may differ from Image